



COSNOGAS[®]

MADE IN ITALY



commercial condensing boilers

5 YEARS
WARRANTY
HEAT EXCHANGER

AISI 316
Ti
TITANIUM

1:8
TURNDOWN RATIO



MYdens[®] 60

60 kW wall-mounted boilers



SMALL BUT POWERFUL

MYdens 60 COMMERCIAL WALL HUNG GAS CONDENSING BOILERS



MYdens 60 is the commercial wall hang heat only gas condensing 60 kW boiler. It is ideal for small business and multi-family users.

- **COMPACT, LIGHTWEIGHT AND ECOLOGIC** - Only 44 kg for 57,8 kW output. **MYdens 60** is extremely ecologic thanks to the premix burner made of "Fecralloy" fiber which develops short and perfectly nourished flames.
- **WIDE TURNDOWN RATIO 1:8** - thanks to patented air/gas premix system Cosmomix. The boiler output adapts

according to real need for room heating, guaranteeing great gas savings and low CO₂ emissions in the atmosphere.

- **CASCADE SEQUENCE** - **MYdens 60** boilers can be connected in cascade sequence up to 8 units to achieve a maximum power of 462 kW.
- **MYDENS 60 AVAILABLE MODELS**
60 A without pump, without expansion vessel
60 C with built-in pump, without expansion vessel.

MYdens[®] 60



wall hung
60 kW

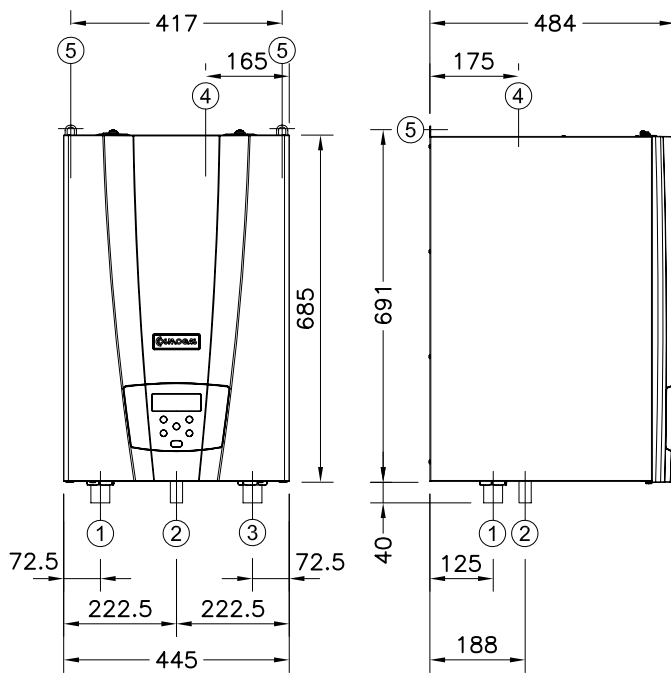


IT ALWAYS WORKS IN CONDENSING MODE SO IT IS IDEAL EVEN WITH RADIATORS

Usually a standard condensing boiler works in condensing mode only in combination with low temperature heating systems. This happens because the floor heating installation works with water at low temperature and the condensing boiler reaches its maximal efficiency at this condition. But traditional radiators need to be heated with high temperature water and traditional condensing boilers do not condense when they work at high operating temperatures. Thanks to the innovative, wide surface, patented R.V.C. heat exchanger of **MYdens 60** flue gases condense at 55°C return temperatures, working always in condensing mode also in installation with radiators. For this reason **MYdens 60** is the ideal condensing boiler not only for new installations, but also in the replacement market.



MYDENS 60



- 1 - Supply 1" 1/2
- 2 - Gas inlet 1"
- 3 - Return 1" 1/2
- 4 - Flue gas outlet
- 5 - Support connections



COSMOBIT FOR THE TEMPERATURE CONTROL

Directly from a smartphone or tablet, it allows the user to program times, remote on and off days and the service centre to know in real time the status of the boiler. Simple and intuitive: easy to set up and manage at any time with just one touch, you can remotely control the operating of Cosmogas gas condensing boilers. Everywhere!



R.V.C. HEAT EXCHANGER RADIAL VARIABLE CIRCULATION

The condensing primary heat exchanger, completely made of AISI 316Ti (Titanium) stainless steel consists of 3 series of water tubes, with two different diameters. With the generous sections of the adopted tubes it doesn't clog and guarantees:

- GREAT WATER FLOW
- WIDE EXCHANGE SURFACE
- LOW HEAD LOSS
- HIGH WORKING PRESSURE



COVER-BOX 60 SAFE AGAINST BAD WEATHER

NEW

MYdens 60 is available for use outdoors with the additional **COVER-BOX**, the CE certified, insulated, weather resistant cover made of anti-UV ABS. The polyethylene insulation, high insulation capacity, fireproof, gives an IP X5D electric protection degree and protects the boiler from frost. Remote control CR04 is standard available. A Safety Kit, complete with built-in casing shut-off valve and expansion tank, is available on demand.



IP X5D



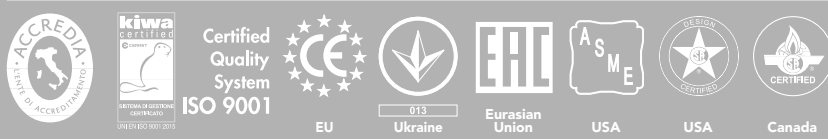
is available on demand to manage MYdens 60



MODEL	MYdens	
	60 A	60 C
Type	B23; B23P; C13; C33; C43; C53; C63; C83; C93	
Category	II2H3P	
CE type certificate (PIN)	0476CQ1097	
Maximum heat input "Q" (LHV)	kW	57,8
Minimum heat input (LHV)	kW	12,0
Turndown ratio		1:8
Maximum heat output (80/60) "P"	kW	56,1
Efficiency at 100% load (80/60)	%	97,1
Minimum heat output (80/60)	kW	11,6
Efficiency at minimum heat output (80/60)	%	97
Maximum heat output (50/30) "P"	kW	60,7
Efficiency at maximum heat output (50/30)	%	105
Minimum heat output (50/30)	kW	12,8
Efficiency at minimum heat output (50/30)	%	107
Efficiency at 30% partial load	%	107
Certified efficiency (92/42/CEE)	stars	★★★★
Natural gas flow rate (G20)	m ³ /h	6,1
LP gas flow rate (G31)	kg/h	4,5
D.H.W. temperature range of adjustment with water storage tank	°C	40 - 70
Heating minimum/maximum temperature	°C	20 - 80
Heating minimum/maximum pressure (PMS)	bar	0,5 - 4
Rated power supply	V/Hz	230/50
Absorbed electric power	W	140
Electric protection rating	IP	IP X4D
Air inlet/flue gas outlet diameter (split)	mm	80
Air inlet/flue gas outlet maximum length (split)	m	10
Weightened CO (0% O ₂ with Nat. gas)	ppm	15
Weightened NOx (0% O ₂ with Nat. gas) (EN 483 and 297)	ppm	15
Weight (empty)	kg	44

Boilers designed, patented and manufactured by us

COSMOGAS International Certifications



AUTHORIZED DEALER

COSMOGAS srl
 Via L. da Vinci, 16 • 47014 MELDOLA (FC) ITALY
 Tel. +39 0543.49.83.70 • Fax +39 0543.49.83.92
 www.cosmogas.com • info@cosmogas.com

Contact us
 PURCHASE ORDERS - export@cosmogas.com
 SPARE PARTS - export@cosmogas.com